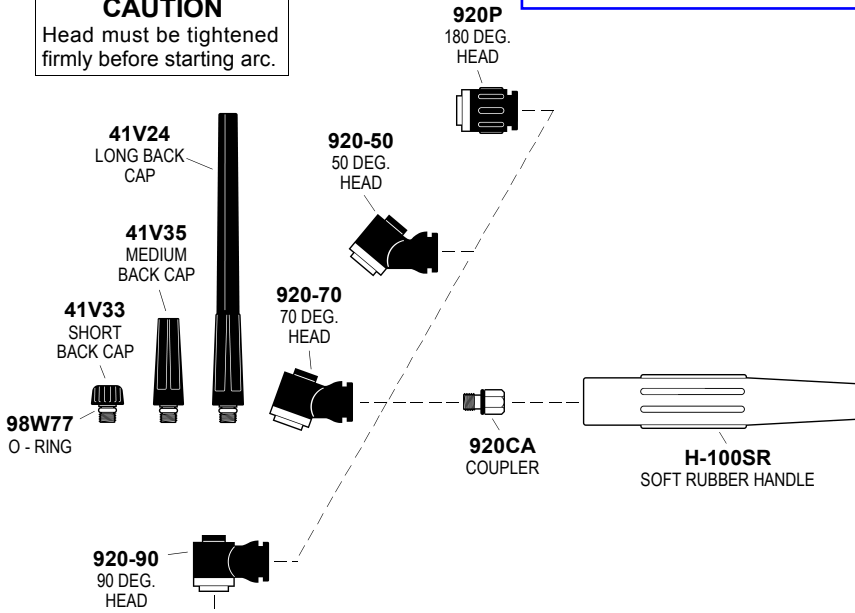
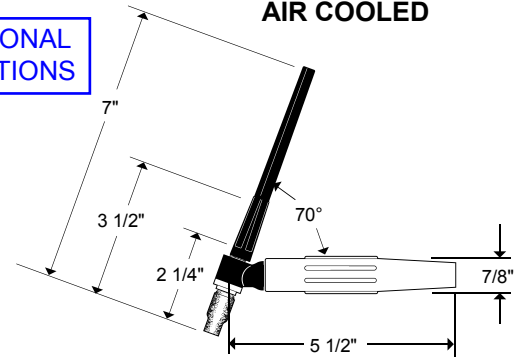


REPLACEMENT PARTS

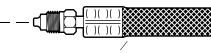
WTS-9
125 AMPS
AIR COOLED

SEE GUIDE FOR ADDITIONAL TORCH FRONT END OPTIONS

CAUTION
Head must be tightened firmly before starting arc.

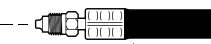


STANDARD POWER CABLE

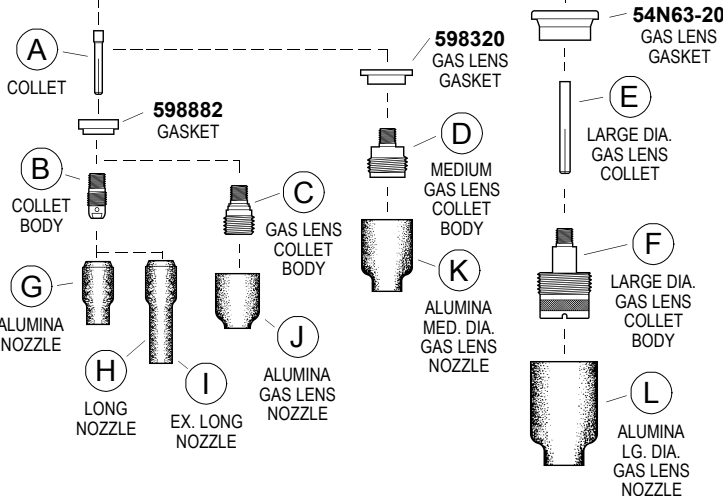


57Y01SF 12.5 FT.
57Y03SF 25 FT.
SF POWER CABLE - SUPER FLEX

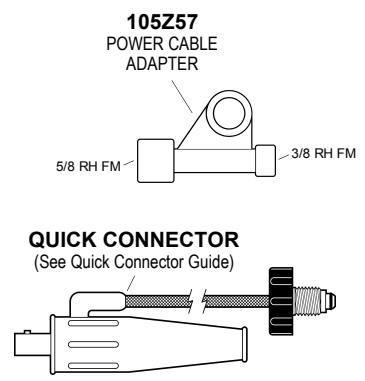
OPTIONAL POWER CABLE



57Y01R 12.5 FT.
57Y03R 25 FT.
R POWER CABLE - RUBBER



QUARTZ NOZZLES
(See Clear Quartz Nozzle Flyer for Options)



COPYRIGHT 2014 - 2016 TEC WELDING PRODUCTS, INC.

COLLETS • COLLET BODIES • GAS LENS

GAS NOZZLES

ITEM	ELECTRODE DIAMETER	.020 0,5	.040 1,0	1/16 1,6	3/32 2,4	1/8 3,2
A	COLLET	13N20	13N21	13N22	13N23	13N24
B	COLLET BODY	13N25	13N26	13N27	13N28	13N29
C	GAS LENS	45V41	45V42	45V43	45V44	45V45
D	MED. DIA. GAS LENS	—	—	45V35SW	45V36SW	45V37SW
E	LG. DIA. GAS LENS COLLET	13N20L	13N21L	13N22L	13N23L	13N24L
F	LG. DIA. GAS LENS	45V0204S		45V116S	45V64S	995795S

ITEM	NO. SIZE	3 3/16"	4 1/4"	5 5/16"	6 3/8"	7 7/16"	8 1/2"	10 5/8"	11 11/16"	12 3/4"
G	ALUMINA	—	13N08	13N09	13N10	13N11	13N12	13N13	—	—
H	LONG 17/8"	796F70	796F71	796F72	796F73	—	—	—	—	—
I	EX. LONG 2 1/2"	796F74	796F75	796F76	796F77	—	—	—	—	—
J	ALUMINA GAS LENS	—	53N58	53N59	53N60	53N61	53N61S	—	—	—
K	ALUMINA MED. DIA. GAS LENS	—	—	—	—	54N15SW	54N14SW	54N12SW	54N19	—
L	ALUMINA LG. DIA. GAS LENS	—	—	—	57N75	—	57N74	53N88	—	53N87*

Specifications and descriptions subject to change without notice.

* #15 53N89 15/16" ID X 1 7/8" Long