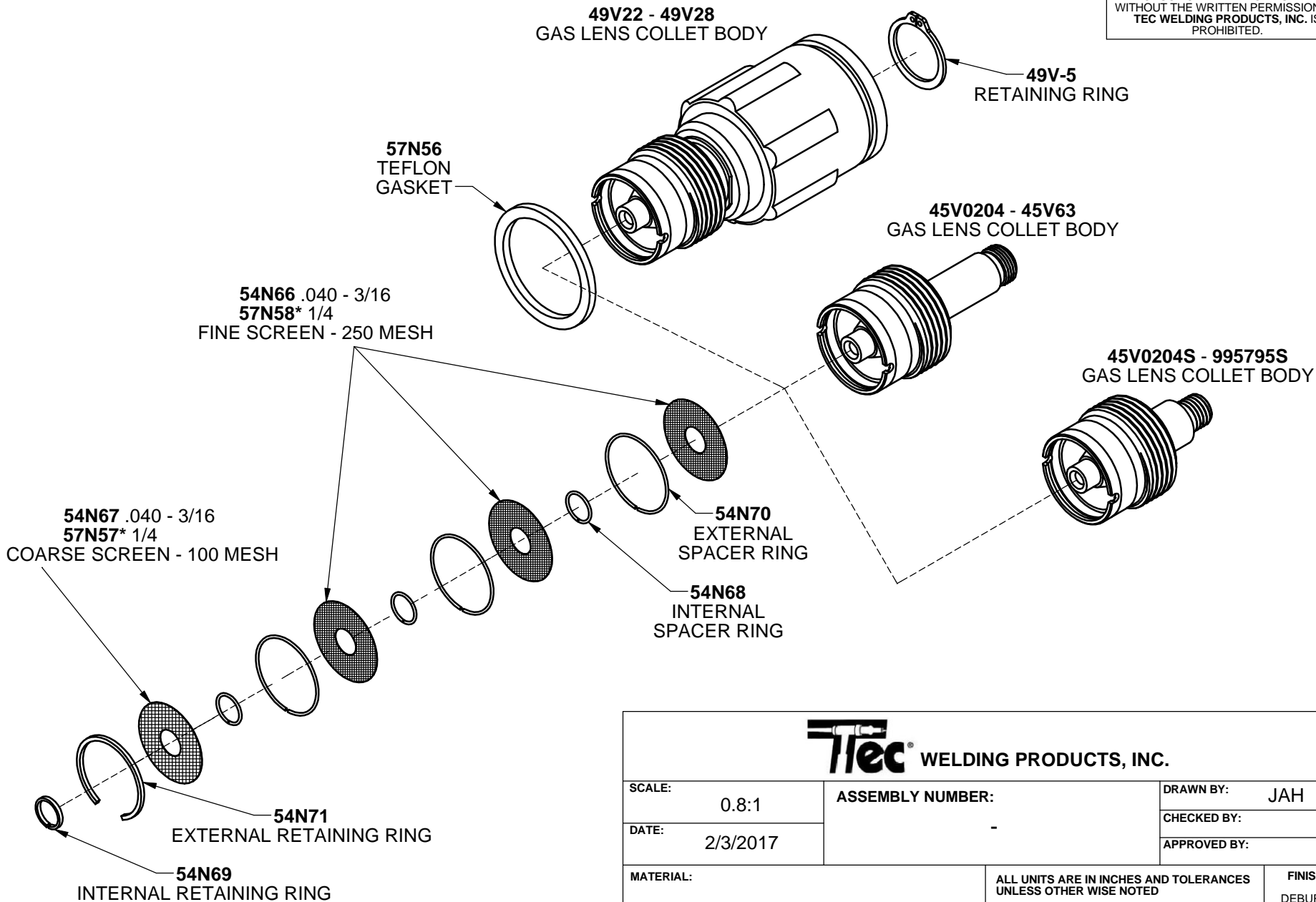


PROPRIETARY AND CONFIDENTIAL
 THE INFORMATION CONTAINED IN THIS
 DRAWING IS THE SOLE PROPERTY OF
TEC WELDING PRODUCTS, INC. ANY
 REPRODUCTION IN PART OR AS A WHOLE
 WITHOUT THE WRITTEN PERMISSION OF
TEC WELDING PRODUCTS, INC. IS
 PROHIBITED.



* USED ON 49V28 ONLY (1/4)

Tec WELDING PRODUCTS, INC.			
SCALE: 0.8:1	ASSEMBLY NUMBER: -	DRAWN BY: JAH	
DATE: 2/3/2017		CHECKED BY:	
		APPROVED BY:	
MATERIAL: -	ALL UNITS ARE IN INCHES AND TOLERANCES UNLESS OTHERWISE NOTED		FINISH DEBURR DEGREASE
	ANGULAR: 1/2° TWO PLACE: ± .01	FRACTIONAL: ± 1/64 THREE PLACE: ± .005	
NAME: PARTS FOR GAS LENS ASSEMBLY	DRAWING NUMBER: GAS LENS LAYOUT		ISSUE A