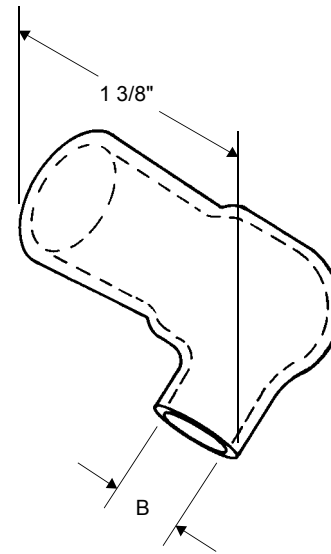


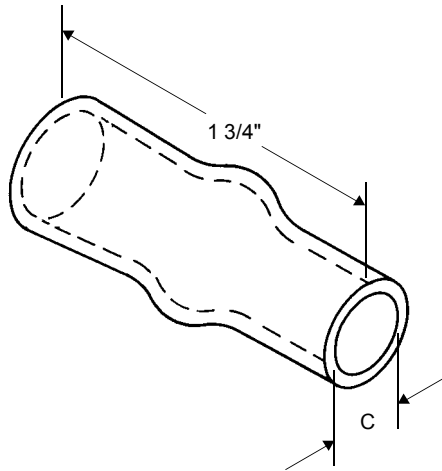
TORCH SERIES: 320

"A" DIA. Part Number
3/8" 162-00 45° #6



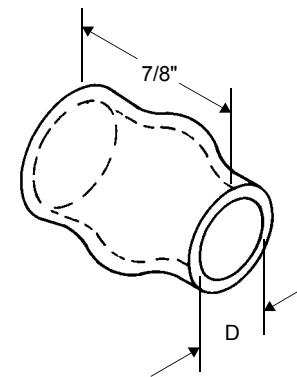
TORCH SERIES: 320

"B" DIA. Part Number
3/8" 172-00 90° #6



TORCH SERIES: 424, 428
520

"C" DIA. Part Number
3/8" 152-00 #6



TORCH SERIES: 429

"D" DIA. Part Number
3/8" 152-01 #6

THIS IS PROPRIETARY INFORMATION OWNED BY TEC WELDING PRODUCTS & IS NOT TO BE REPRODUCED, DISCLOSED OR USED WITHOUT THE EXPRESS PERMISSION OF TEC WELDING PRODUCTS, INC.



TEC WELDING PRODUCTS, INC.

SCALE: NONE		ASSEMBLY NUMBER:		DRAWN BY:	
DATE: 12/05/14				APPROVED BY:	
MATERIAL: QUARTZ - CLEAR GLASS				FINISH:	
NAME: QUARTZ NOZZLES			DRAWING NUMBER:		ISSUE: F