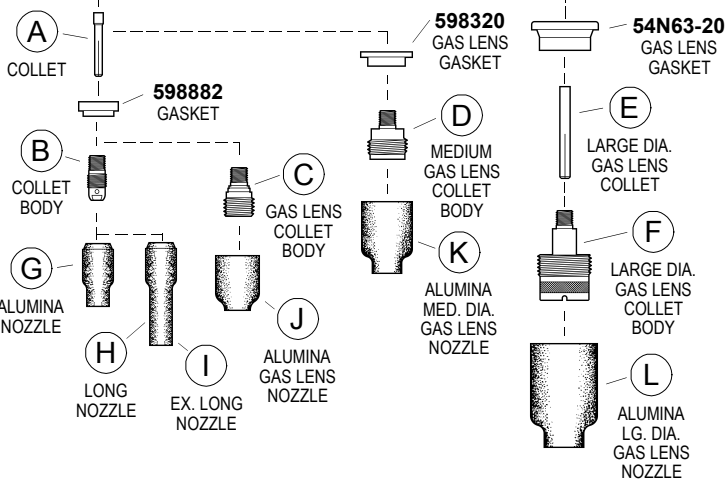
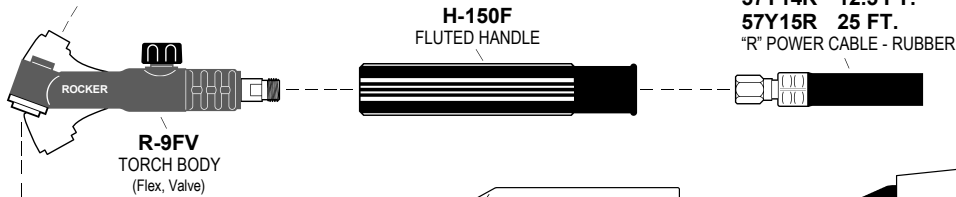
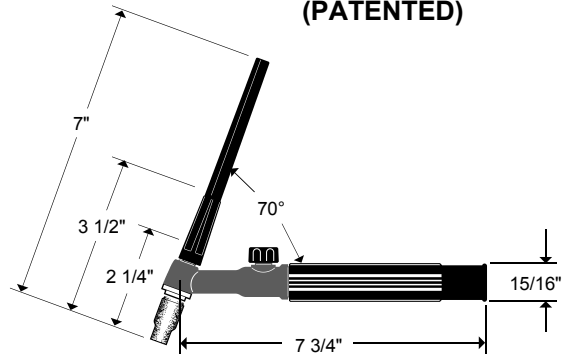
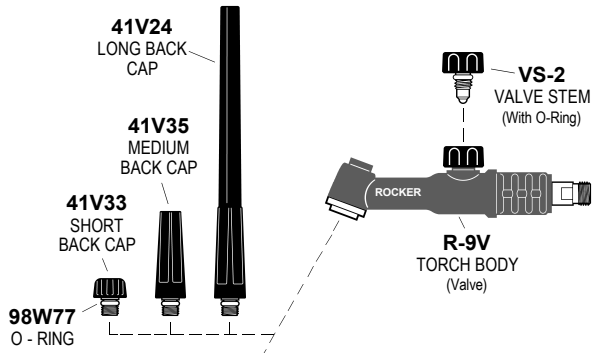




... by WeldTec®

## REPLACEMENT PARTS

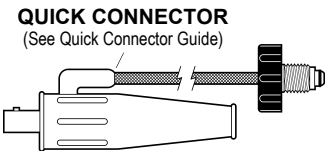
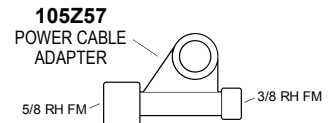
**R-9FV • R-9V**  
 FLEX - VALVE VALVE  
 150 AMPS • AIR COOLED  
 (PATENTED)



TTC-150 QUICK CONNECTOR (With Power Lead)

TTC-150G QUICK CONNECTOR (With Gas Hose 5/8 M x 5/8 FM)

TTC-150P QUICK CONNECTOR (With Gas Hose 5/8 M x 1/4 NPT)



COPYRIGHT 2014 - 2015 TEC WELDING PRODUCTS, INC.

### COLLETS • COLLET BODIES • GAS LENS

### GAS NOZZLES

ITEM	ELECTRODE DIAMETER	.020 0,5	.040 1,0	1/16 1,6	3/32 2,4	1/8 3,2
A	COLLET	13N20	13N21	13N22	13N23	13N24
B	COLLET BODY	13N25	13N26	13N27	13N28	13N29
C	GAS LENS	45V41	45V42	45V43	45V44	45V45
D	MED. DIA. GAS LENS	—	—	45V35SW	45V36SW	45V37SW
E	LG. DIA GAS LENS COLLET	13N20L	13N21L	13N22L	13N23L	13N24L
F	LG. DIA GAS LENS	45V0204S		45V116S	45V64S	995795S

ITEM	NO. SIZE	3 3/16"	4 1/4"	5 5/16"	6 3/8"	7 7/16"	8 1/2"	10 5/8"	11 11/16"	12 3/4"
G	ALUMINA	—	13N08	13N09	13N10	13N11	13N12	13N13	—	—
H	LONG 17/8"	796F70	796F71	796F72	796F73	—	—	—	—	—
I	EX. LONG 2 1/2"	796F74	796F75	796F76	796F77	—	—	—	—	—
J	ALUMINA GAS LENS	—	53N58	53N59	53N60	53N61	53N61S	—	—	—
K	ALUMINA MED. DIA. GAS LENS	—	—	—	—	54N15SW	54N14SW	54N12SW	54N19	—
L	ALUMINA LG. DIA. GAS LENS	—	—	—	57N75	—	57N74	53N88	—	53N87*

Specifications and descriptions subject to change without notice.

\* #15 53N89 15/16" ID X 1 7/8" Long