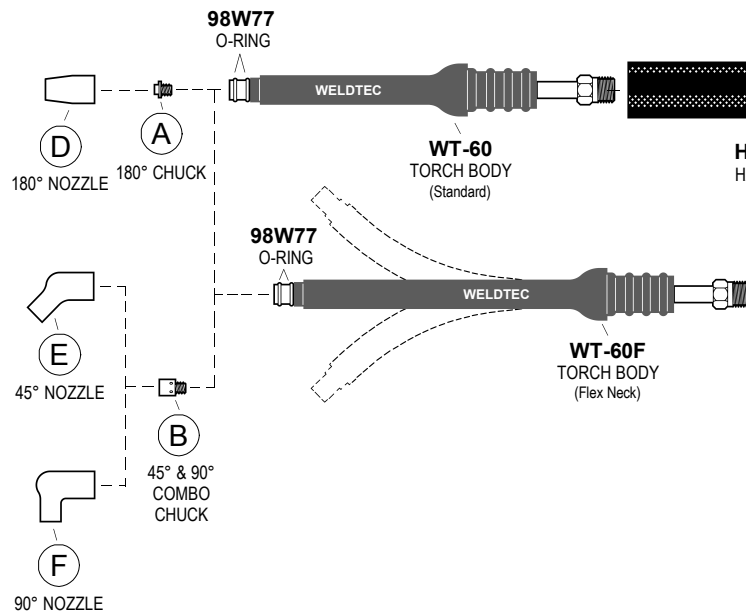
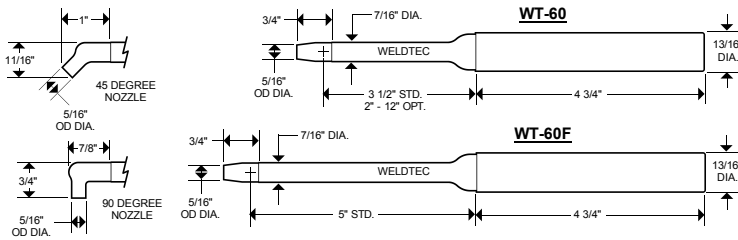


REPLACEMENT PARTS

WT-60 • WT-60F

STANDARD FLEX NECK
60 AMPS • AIR COOLED



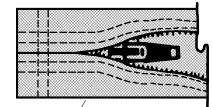
57Y11 12.5 FT.
57Y13 25 FT.
POWER CABLE - VINYL



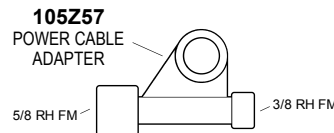
57Y11SF 12.5 FT.
57Y13SF 25 FT.
"SF" POWER CABLE - SUPER FLEX



53N20
CHUCK WRENCH
(Use With 180° Chuck)

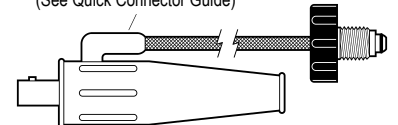


TCL-3-10Z 11 FT.
TCL-3-22Z 24 FT.
3" LEATHER CABLE COVER
WITH ZIPPER CLOSURE
(See Cable Covers For Options)



105Z57
POWER CABLE
ADAPTER

QUICK CONNECTOR
(See Quick Connector Guide)



COPYRIGHT 2007 - 2016 TEC WELDING PRODUCTS, INC.

AK-60 ACCESSORY KIT - .040

INCLUDES: 1 - 45° & 90° COMBO CHUCK .040
1 - 180° CHUCK .040
1 - 45° GLASS NOZZLE #4
1 - 90° GLASS NOZZLE #4
1 - 180° GLASS NOZZLE #4
1 - CHUCK WRENCH
1 - TUNGSTEN ELECTRODE .040
1 - PARTS STORAGE BOX

AK-125 ACCESSORY KIT - 1/16

INCLUDES: 1 - 45° & 90° COMBO CHUCK 1/16
1 - 180° CHUCK 1/16
1 - 45° GLASS NOZZLE #4
1 - 90° GLASS NOZZLE #4
1 - 180° GLASS NOZZLE #4
1 - CHUCK WRENCH
1 - TUNGSTEN ELECTRODE 1/16
1 - PARTS STORAGE BOX

CHUCKS

ITEM	ELECTRODE DIAMETER	.020		1/16	
		0,5	1,0	1,6	1,6
A	180° CHUCK	125C20	125C40	125C116	
B	45° & 90° CHUCK	—	125C40C	125C116C	

GAS NOZZLES

ITEM	NO. SIZE	4 1/4"	
		4	1/4"
D	180° GLASS NOZZLE	125N180Q	
E	45° GLASS NOZZLE	125N45Q	
F	90° GLASS NOZZLE	125N90Q	

TORCH PACKAGES

PART NUMBER	DESCRIPTION	
WT-60-12	12 1/2 ft. Torch Package - Vinyl	Standard Model
WT-60-25	25 ft. Torch Package - Vinyl	
WT-60-12SF	12 1/2 ft. Torch Package - Super Flex	Standard Model
WT-60-25SF	25 ft. Torch Package - Super Flex	
WT-60F-12	12 1/2 ft. Torch Package - Vinyl	Flex Neck Model
WT-60F-25	25 ft. Torch Package - Vinyl	
WT-60F-12SF	12 1/2 ft. Torch Package - Super Flex	Flex Neck Model
WT-60F-25SF	25 ft. Torch Package - Super Flex	

TUNGSTEN ELECTRODE LENGTHS

Angle	Std.		Min.		Max.	
	In.	mm	In.	mm	In.	mm
90°	.866	22	.787	20	.866	22
45°	.866	22	.866	22	.945	24
180°	.866	22	.748	19	1.182	30

Specifications and descriptions subject to change without notice.